

6 Function with IP Stainless Transmitter

SYSTEM PART NUMBER

92S06 6 Function Receiver with Master + 6 Function IP Transmitter
Stainless Steel Keypad

REPLACEMENT TRANSMITTER

92S06TX 6 Function IP Transmitter
Stainless Steel Keypad

CONTENTS

1 x Receiver
1 x IP Transmitter Stainless
1 x Lanyard
1 x Instructions



TRANSMITTER SPECIFICATION

SWITCH

Type Stainless Steel Keypad

BATTERY

Type 4 x AAA Alkaline Manganese in holder (6 Volts)

INDICATOR

Type 1 x Red LED
Off Transmitter OFF (The STOP Button has been pressed and released)
Slow flash Transmitter ON and ready for use (The SET Button has been pressed and released)
On Transmitting (A STOP, SET or Function Button is being pressed)
Fast flash Transmitting – Indication that the battery will need replacing soon

CURRENT DRAW

Quiescent 15 micro amps
Operating 24 milliamps

PROTECTION

Reverse polarity Protected
IP Rating 65
Registration codes Over 16 million

PERFORMANCE

Temp Range -10°C to + 40°C (13° F to + 104° F)
Range Nominal as supplied 60 metres (200 ft) from the Receiver, when driving a momentary output without signal drop out
Transmitted power 1 mW Typical

COMPLIANCE

EMC	2004/104/EEC	Exceeds ETSI 300 220	Compliant E11
Modulation	FM		
Frequencies	418.00 MHz F1D	USA	
	433.92 MHz F1D	Worldwide (optional USA)	

RECEIVER SPECIFICATION

SWITCH TYPE

Output Switching MOS Field Effect Transistor (P Channel Power MOSFET)

SUPPLY VOLTS

Nominal 12/24 Volts DC
 Absolute Maximum 40 Volts DC
 Minimum 8 Volts DC
 Output Switch Supply Internal 12/24 Volts

AMPS

FET Rating 15 Amps
 System Rating 15 Amps
 Quiescent Current 25 mA on Standby (Not SET)
 Overload Protection 15 Amps (Auto Shutdown)

AERIAL

Internal Antenna Yes Supplied and fitted
 External Antenna Optional See Accessories.

OUTPUTS

Master 1 Can be Parallel or Continuous
 Function 6

CONFIGURATION

RS232 Programming to users' requirements Yes Not all models, see Build Specification Table. For programming interlocks, push/push latch, parallel master inhibit, timeout, channel timeout delay, master on delay, radio button de-latching and output allocation.

PERFORMANCE

Simultaneous Outputs Yes With horizontal interlocks (Interlocks are programmable – see CONFIGURATION above)
 Instant TX response Yes No perceivable delay between TX operation and RX action

DIAGNOSTICS

LED's Yes Confirm 5 Volts, SET, Fault and all Outputs.

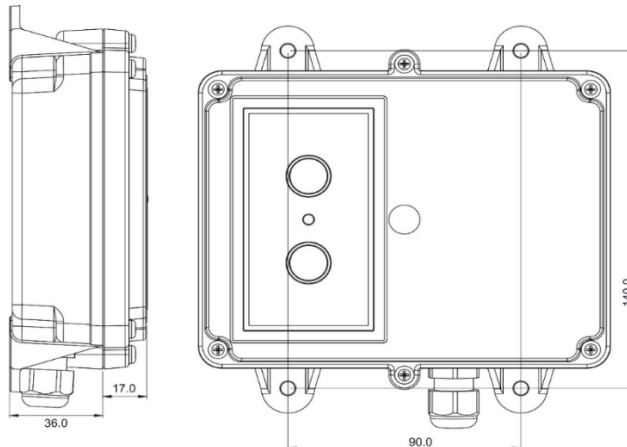
PROTECTION

ESR Safety Yes See ESR Safety document.
 Back EMF Yes
 Registration codes Over 16 million
 STOP Connection Yes Internal Emergency Stop Connection

WIRING

Wiring Loom Yes 3 metres (10ft) supplied and fitted
 Cable Gland Yes Supplied and fitted
 Connections Screw terminal into plug and socket on PCB, for easy "swap out"

ENCLOSURE



Weight 0.3 lbs (335gms)
 Lid Clear PVC - to view LEDs
 Base Black PVC
 Breather Gortex fitted in base
 Mounting 4 external lugs
 Fixings 5mm (3/16") not supplied
 IP Rating IP66

ACCESSORIES

9861, 9862, 9863 and 9869 – External Antenna with cable.

92 Series			92S06
BUILD SPECIFICATION TABLE FOR MODELS IN THIS RANGE			
Ident	Legend	Connection	
	+ - F1 F2	Positive, Negative, F1 and F2	S
	F3 F4 F5 F6 M	F3, F4, F5, F6 and Master	S
	ST -	STOP and -	S
	S+ S-	S+ S-	S
	ANT	Internal Antenna	S
X5		SMA Connector (external antenna)	S
LK1	P	Master - Parallel	C
LK2	C	Master – Continuous	C
LK3	RS232	RS232	S
		3 metres 2 core	S
		3 metres 7 core	S

S = Standard. C = Customer configured (see “Factory Settings”).

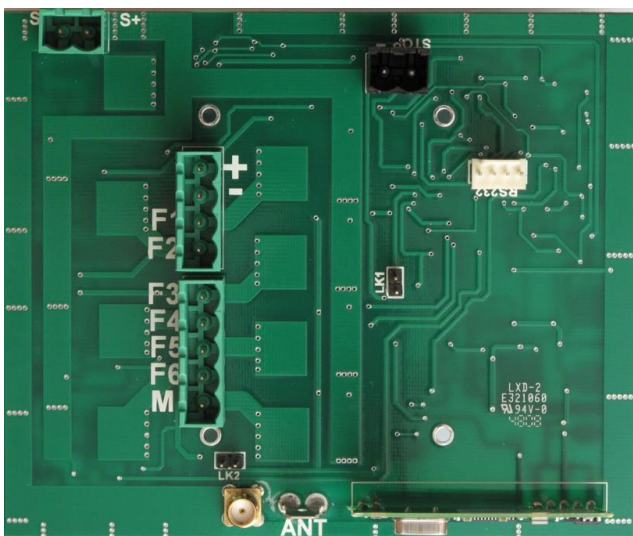
- + Positive 12/24 Volt supply
- Negative 0 Volts
- F1, F2, F3, F4, F5 & F6 Outputs to F1 through F6
- M Master Output

- STOP - STOP, when grounded shuts down the Receiver
- S+ S- Master Secondary for Safety solenoid connections etc.
- ANT Blade connector for internal antenna
- SMA Aerial connection for optional external antenna (internal antenna must be removed)

- LK1 Jumper fitted to this link for continuous Master
- LK2 Jumper fitted to this link for parallel Master
- Factory Settings 418MHz configured Parallel, 433.92MHz configured Continuous
- LK3 RS232 for interface to access special programmes
Also for connection to RS232 modules

PCB – Not to scale

Connector Side



Component Side

