

# 6 Function + Keypad with Standard Transmitter

## SYSTEM PART NUMBER

**92106K** 4 Function Receiver, with Master + Keypad + 6 Function Standard Transmitter

## CONTENTS

1 x Receiver + Keypad  
 1 x Standard Transmitter  
 1 x Lanyard  
 1 x Cover  
 1 x Instructions



## REPLACEMENT TRANSMITTER

**92106TX** - 6 Function Standard Transmitter

## REPLACEMENT RECEIVER

**9206RXK** - 6 Function Receiver W/Keypad

## TRANSMITTER SPECIFICATION

### ENCLOSURE

Material Glass reinforced Nylon  
 Switch Type 12mm Dome Switch  
 Functions 6  
 Identification Pockets for printed text or image insertion

### RF

Modulation 2-GFSK. Gaussian Frequency Shift Keying  
 Frequency 433.050 MHz to 434.790 MHz  
 Channels 1  
 Channel Selection Fixed  
 Technology Hand-held Transmitter  
 Temperature Range Range -10<sup>o</sup> C to + 40<sup>o</sup> C (13<sup>o</sup> F to + 104<sup>o</sup> F). Use Lithium for lower temperatures  
 Range 60m (200ft)  
 Aerial Internal – printed on PCB  
 Transmitted power 1mW Typical

### POWER

Batteries 1x 9V Alkaline Manganese  
 Quiescent Current 15µA  
 Current Transmitting 20mA

### PROTECTION

IP Rating 54  
 Registration codes Over 16 million

### INDICATOR

Type 1 x Red LED  
 Off Transmitter is OFF and in standby mode  
 Slow flash Transmitter is ON and ready for use (The SET Button has been pressed and released)  
 On Transmitting (A STOP, SET or Function Button is being pressed)  
 Fast flash Transmitting – Indication that the battery will need replacing soon

### COMPLIANCE

FCC FCC CFR 47-part 15.231  
 433.9MHz

IC ISED RSS-210 Issue 8  
 433.9MHz

RoHS Directive 2011/65/EU

## RECEIVER SPECIFICATION

### KEYPAD

Back up Control Works independently from the Transmitter

Security coding available as an option

### ELECTRICAL

Voltage Nominal 12/24V DC  
Voltage Min/Max 8 to 36V DC  
Switch Type MOSFET (Positive Switching)

### RF

Modulation 2-GFSK. Gaussian Frequency Shift Keying  
Frequency 433.050 MHz to 434.790 MHz  
902.025 MHz– 927.975 MHz  
Channels 32  
Channel Selection Fixed  
Channel hopping  
Technology Fixed Receiver  
Temperature Range Range -40<sup>o</sup> C to + 70<sup>o</sup> C (-40<sup>o</sup> F to + 158<sup>o</sup> F)  
60m (200ft)

### CURRENT CAPACITY

FET Rating 10A  
System Rating 10A  
Quiescent Current 31mA 12V/ 17mA 24V on Standby (Not SET)  
Overload Protection 10A (Auto Shutdown)

### AERIAL

Internal Antenna Yes Supplied and fitted  
External Antenna Optional AC9860/ AC9861/ AC9862/ AC9863 & AC9869 – order separately

### OUTPUTS

Master Function Yes Parallel or Continuous  
6 Supply to Receiver is switched

### CONFIGURATION

RS232 Programming to users' requirements Yes For programming interlocks, push/push latch, parallel master inhibit, timeout, channel timeout delay, master on delay, radio button de-latching and output allocation.

### PERFORMANCE

Simultaneous Outputs Yes Programable (Modify through configuration)  
Instant TX response Yes Programable (Modify through configuration)

### DIAGNOSTICS

LED's Yes Confirm 5 Volts, SET, Fault and all Outputs.

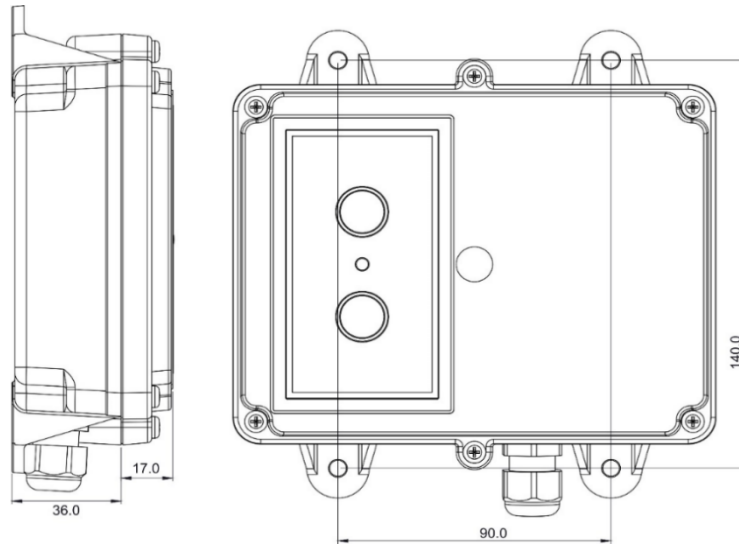
### PROTECTION

Back EMF Yes Diode protection on all outputs  
Registration codes Yes Over 16 million  
STOP Connection Yes Internal Emergency Stop Connection

### WIRING

Wiring Loom Yes 3 metres (10ft) supplied and fitted  
Cable Gland Yes Supplied and fitted  
Connections Screw terminal into plug and socket on PCB, for easy "swap out"

**ENCLOSURE**



Weight 0.3 lbs (335gms)  
 Lid Clear PC/FR V0 and UV stabilised  
 Base Black PC V0 and UV stabilised  
 Breather Gortex fitted in base  
 Mounting 4 external lugs  
 Fixings 5mm (3/16") not supplied  
 IP Rating IP55

92 Series			92106K
BUILD SPECIFICATION TABLE FOR MODELS IN THIS RANGE			
Ident	Legend	Connection	
	+ - F1 F2	Positive, Negative, F1 and F2	S
	F3 F4 F5 F6 M	F3, F4, F5, F6 and Master	S
	ST -	STOP and -	S
	S+ S-	S+ S-	S
	ANT	Internal Antenna	S
X5		SMA Connector (external antenna)	S
LK1	P	Master - Parallel	C
LK2	C	Master - Continuous	C
LK3	RS232	RS232	S
		3 metres 2 core	S
		3 metres 7 core	S
		9804 Lo-Cover	S
		9802 Lo-Cover	S

S = Standard. C = Customer configured (see "Factory Settings").

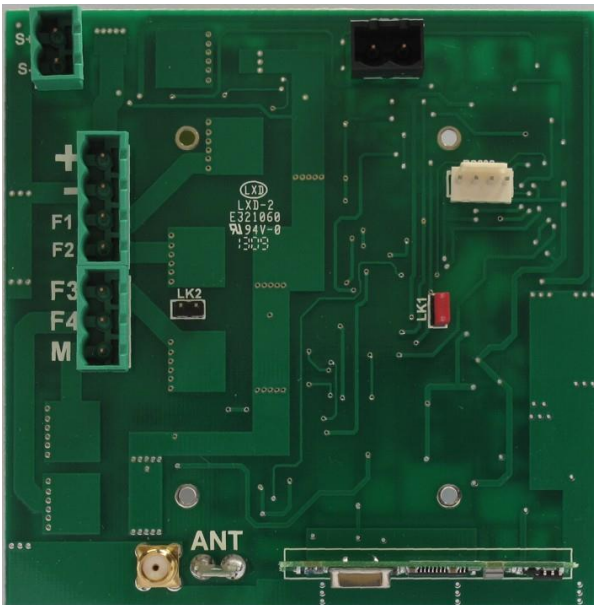
+ Positive 8-36V supply  
 - Negative 0 Volts  
 F1 to F6 Outputs to F1 through F6  
 M Master Output  
 STOP - STOP, when grounded shuts down the Receiver  
 S+ S- Master Secondary for Safety solenoid connections etc.  
 ANT Blade connector for internal antenna  
 SMA Aerial connection for optional external antenna (internal antenna must be removed)  
 LK1 Master Selection by Jumper (Parallel)  
 LK2 Master Selection by Jumper (Continuous)  
 Factory Settings 418/915MHz configured Parallel, 433.92MHz configured Continuous  
 RS232 RS232 for Wired Remote and interface to access special programmes

## COMPLIANCE

REG 10	EC Type-approval mark E11 037601 EC Type-approval No: e11/72/245*2009/19*7601*00
FCC	FCC CFR 47 Part 15.109 433.050MHz to 434.790MHz FCC CFR 47 Part 15.109 902.025MHz to 927.975MHz
IC	ICES-003 Issue 6. 433.050MHz to 434.790MHz ICES-003 Issue 6. 902.025MHz to 927.975MHz
CE	RED Directive ETSI EN 300 220-2 v3.2. ETSI EN 300 220-1 v3.1.1. ETSI EN 301 489-17 V3.1.1, ETSI EN 301 489-1 V2.1.1 433.050MHz to 434.790MHz
Australia/NZ	ETSI EN 300 220-2 v3.2.1 ETSI EN 301 489-1 V2.1.1 433.050MHz to 434.790MHz 915.025MHz to 927.975MHz
RoHS	Directive 2011/65/EU

## Photo of PCB

Connector Side



Component Side

