

4 Function + Keypad with Mini Transmitter

SYSTEM PART NUMBER

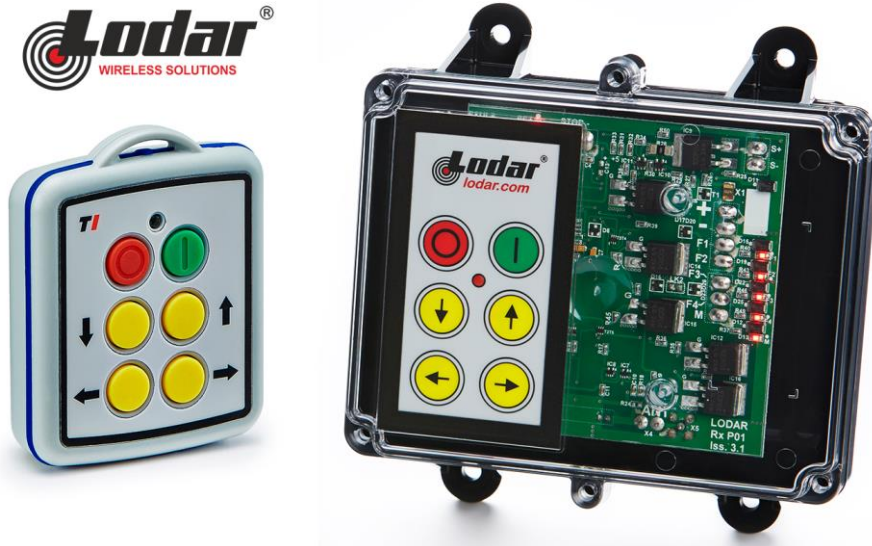
92004K 4 Function Receiver with Master+ Keypad + 4 Function Mini Transmitter

REPLACEMENT TRANSMITTERS

9TX004 4 Function Mini Transmitter – with legacy software

CONTENTS

1 x Receiver + Keypad
1 x Mini Transmitter
1 x Lanyard
1 x Instructions



TRANSMITTER SPECIFICATION

ENCLOSURE

Material ABS
Switch Type Silicone Rubber keypad with carbon pill
Functions 4
Identification Subsurface printed transmitter label

RF

Modulation 2-GFSK. Gaussian Frequency Shift Keying
Frequency 433.050 MHz to 434.790 MHz
Channels 1
Channel Selection Fixed
Technology Hand-held Transmitter
Temperature Range -10°C to + 40°C (13° F to + 104° F)
Range 45m (150ft)
Registration Codes Over 16 million
Aerial Internal – printed on PCB

POWER

Batteries 2 x AAA – 3 volts.
Quiescent Current 5µA
Current Standby (SET) 2mA
Current Transmitting 30mA
RF Radiated Power 0dBm

SAFETY & PROTECTION

IP Rating 67
Reverse Polarity Protection Yes – MOSFET

INFORMATION

Transmit Indication LED on when TX operated
Fault Codes LED flashes fault code
Low Battery LED flashes when TX operated
Legacy Software Software update to work with 9 Series

COMPLIANCE

See compliance documentation

RECEIVER SPECIFICATION

KEYPAD

Back up Control Works independently from the Transmitter

Security coding available as an option

SWITCH TYPE

Output Switching MOS Field Effect Transistor (P Channel Power MOSFET)

SUPPLY VOLTS

Nominal 12/24 Volts DC
 Absolute Maximum 40 Volts DC
 Minimum 8 Volts DC
 Output Switch Supply Internal 12/24 Volts

AMPS

FET Rating 15 Amps
 System Rating 15 Amps
 Quiescent Current 25 mA on Standby (Not SET)
 Overload Protection 15 Amps (Auto Shutdown)

AERIAL

Internal Antenna Yes Supplied and fitted
 External Antenna Optional See Accessories.

OUTPUTS

Master Yes
 Function 4

CONFIGURATION

RS232 Programming Yes Not all models, see Build Specification Table. For programming interlocks, push/push latch, to user's requirements parallel master inhibit, timeout, channel timeout delay, master on delay, radio button de-latching and output allocation.

PERFORMANCE

Simultaneous Outputs Yes With horizontal interlocks (Interlocks are programmable – see CONFIGURATION above)
 Instant TX response Yes No perceivable delay between TX operation and RX action

DIAGNOSTICS

LED's Yes Confirm 5 Volts, SET, Fault and all Outputs.

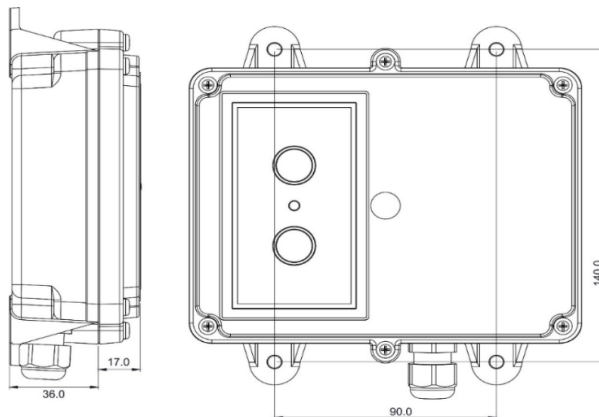
PROTECTION

ESR Safety Yes See ESR Safety document.
 Back EMF Yes Diode protected on all outputs
 Registration codes Yes Over 16 million
 STOP Connection Yes Internal Emergency Stop Connection. Not all models, see Build Specification Table.

WIRING

Wiring Loom Yes 3 metres (10ft) supplied and fitted
 Cable Gland Yes Supplied and fitted
 Connections Yes Screw terminal into plug and socket on PCB, for easy "swap out"

ENCLOSURE



Weight 0.3 lbs (335gms)
 Lid Clear PVC - to view LEDs
 Base Black PVC
 Breather Gortex fitted in base
 Mounting 4 external lugs

Fixings
IP Rating

5mm (3/16") not supplied
IP66

| 92 Series | | | 92000 | 92002 | 92004K | 92100 | 92102 | 92104 |
|--|-----------|-------------------------------|-------|-------|--------|-------|-------|-------|
| BUILD SPECIFICATION TABLE FOR MODELS IN THIS RANGE | | | | | | | | |
| Ident | Legend | Connection | | | | | | |
| | + - F1 F2 | Positive, Negative, F1 and F2 | S | S | S | S | S | S |
| | F3 F4 M | F3, F4, and Master | | M | S | | M | S |
| | ST - | STOP and - | | S | S | | S | S |
| | S+ S- | S+ S- | | S | S | | S | S |
| | ANT | Internal Antenna | S | S | S | S | S | S |
| | SMA | Connector (external antenna) | | S | S | | S | S |
| LK1 | P | Master - Parallel | | C | C | | C | C |
| LK2 | C | Master – Continuous | | C | C | | C | C |
| LK3 | RS232 | RS232 | | S | S | | S | S |
| | | 3 metres 4 core | S | | S | S | | |
| | | 3 metres 7 core | | S | S | | S | S |
| | | 9801 Lo-Cover | | | S | S | S | S |

S = Standard. M = Standard but Master only connected. C = Customer configured (see "Factory Settings").

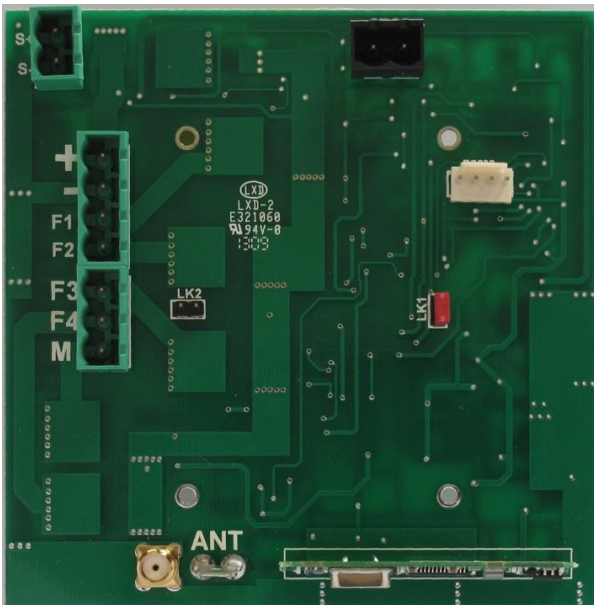
- + Positive 12/24 Volt supply
- Negative 0 Volts
- F1, F2, F3 & F4 Outputs to F1 through F4
- M Master Output

- STOP - STOP, when grounded shuts down the Receiver
- S+ S- Master Secondary for Safety solenoid connections etc.
- ANT Blade connector for internal antenna
- SMA Aerial connection for optional external antenna (internal antenna must be removed)

- LK1 Jumper fitted to this link for continuous Master
- LK2 Jumper fitted to this link for parallel Master
- Factory Settings 418MHz configured Parallel, 433.92MHz configured Continuous
- LK3 RS232 for interface to access special programmes
Also for connection to RS232 modules

Photo of PCB

Connector Side



Component Side

