



2 Function with Standard Transmitter

SYSTEM PART NUMBER

111000 2 Function Mini Receiver + 2 Function Standard Transmitter. No Master



CONTENTS

1 x Mini Receiver
 1 x Standard Transmitter
 1 x Lanyard
 1 x Instructions

REPLACEMENT TRANSMITTER

TX1002 - 2 Function Standard Transmitter

REPLACEMENT RECEIVER

11RX00 - 2 Function Receiver (No Master)

TRANSMITTER SPECIFICATION

ENCLOSURE

Material Glass reinforced Nylon
 Switch Type 12mm Dome Switch
 Functions 2
 Identification Pockets for printed text or image insertion

RF

Modulation 2-GFSK. Gaussian Frequency Shift Keying
 Frequency 433.050 MHz to 434.790 MHz
 902.025 MHz– 927.975 MHz
 Channels 32
 Channel Selection Fixed
 Channel hopping
 Technology Hand-held Transmitter
 Temperature Range -40° C to + 80° C (-40° F to + 176° F). Use Lithium for lower temperatures
 Range 60m (200ft)
 Aerial Internal – printed on PCB
 Transmitted power < 0.4mW Typical

POWER

Batteries 2 x AAA – 3 volts.
 Quiescent Current 5µA
 Current Standby (SET) 2mA
 Current Transmitting 30mA

SAFETY & PROTECTION

IP Rating 54
 Reverse Polarity Protection Yes – MOSFET

INDICATOR

Type 1 x Red LED
 Off Transmitter is OFF and in standby mode
 Slow flash Transmitter is ON and ready for use (The SET Button has been pressed and released)
 On Transmitting (A STOP, SET or Function Button is being pressed)
 Fast flash Transmitting – Indication that the battery will need replacing soon

COMPLIANCE

FCC	FCC CFR 47-part 15.231 FCC CFR 47-part 15.109 433.050MHz to 434.790MHz FCC CFR 47-part 15.249 FCC CFR 47-part 15.109 902.025MHz to 927.975MHz
IC	ISED RSS-210 Issue 9 ISED RSS-GEN Issue 4 ICES-003 Issue 6. 433.050MHz to 434.790MHz ISED RSS-210 Issue 9 ISED RSS-GEN Issue 5 ICES-003 Issue 6. 902.025MHz to 927.975MHz
CE	RED Directive ETSI EN 300 220-2 v3.2.1 ETSI EN 300 220-1 v3.1.1. ETSI EN 301 489-17 V3.1.1 ETSI EN 301 489-1 V2.1.1 433.050MHz to 434.790MHz
Australia/NZ	ETSI EN 300 220-2 v3.2.1 ETSI EN 301 489-1 v3.1.1 433.050MHz to 434.790MHz 915.025MHz to 927.975MHz
RoHS	Directive 2011/65/EU

RECEIVER SPECIFICATION

ELECTRICAL

Voltage Nominal	12/24V DC
Voltage Min/Max	8 to 36V DC
Connection	1.5m (5ft) 7 core cable through gland
Switch Type	MOSFET (Positive Switching)
Functions	2

RF

Modulation	2-GFSK. Gaussian Frequency Shift Keying
Frequency	433.050 MHz to 434.790 MHz
Channels	1/32
Channel Selection	Fixed/Channel Hopping
Technology	Fixed Receiver
Temperature Range	-40° C to + 80° C (-40° F to + 176° F)
Range	60m (200ft)
Registration Codes	Over 16 million

CURRENT CAPACITY

FET Rating	7.5A
System Rating	7.5A
Quiescent Current	31mA 12V/ 17mA 24V on Standby (Not SET)
Power rating	100W

AERIAL

Aerial	Internal – ¼ wave wire
Aerial option	SMA Connector on PCB – order separately
External Antenna	AC9860/1/2/3 & 9 – order separately

SAFETY & PROTECTION

Back EMF	Yes – Diode Protection
Reverse Polarity	Yes
System Monitoring	Yes – using a secondary processor
Transient Voltage	Yes – TVS Diode 30.8 volts. 10amp fuse recommended
Overload	Yes – by temperature sensor

CONFIGURATION

Operating System	Lodar Script
Functions	Momentary with Horizontal Interlocks
Master Output	N/A

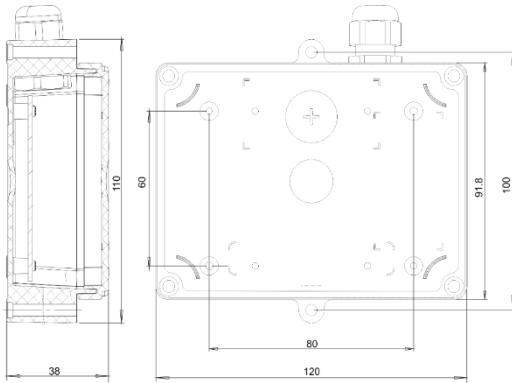
INFORMATION

Fault code	Yes	LED
Receive Indication	Yes	LED

PACKAGING

Brown Box	with coloured sleeve
-----------	----------------------

ENCLOSURE



Material Lid	Clear PVC - to view LEDs
Base	Black ABS
Dimensions	120 x 110 x 38mm (4.72 x 4.33 x 1.5ins.)
Weight	290 gms.
Breather	Gortex membrane
IP Rating	IP55
Functional Identification	LED though clear lid
Mounting	4 external lugs
Fixings	5mm (3/16") - not supplied

COMPLIANCE

REG 10	EC Type-approval mark E11 037601 EC Type-approval No: e11/72/245*2009/19*7601*00
FCC	FCC CFR 47 Part 15.109 433.050MHz to 434.790MHz
IC	ICES-003 Issue 6. 433.050MHz to 434.790MHz
CE	RED Directive ETSI EN 300 220-2 v3.2. ETSI EN 300 220-1 v3.1.1. ETSI EN 301 489-17 V3.1.1, ETSI EN 301 489-1 V2.1.1 433.050MHz to 434.790MHz
Australia/NZ	ETSI EN 300 220-2 v3.2.1 ETSI EN 301 489-1 V2.1.1 433.050MHz to 434.790MHz
RoHS	Directive 2011/65/EU