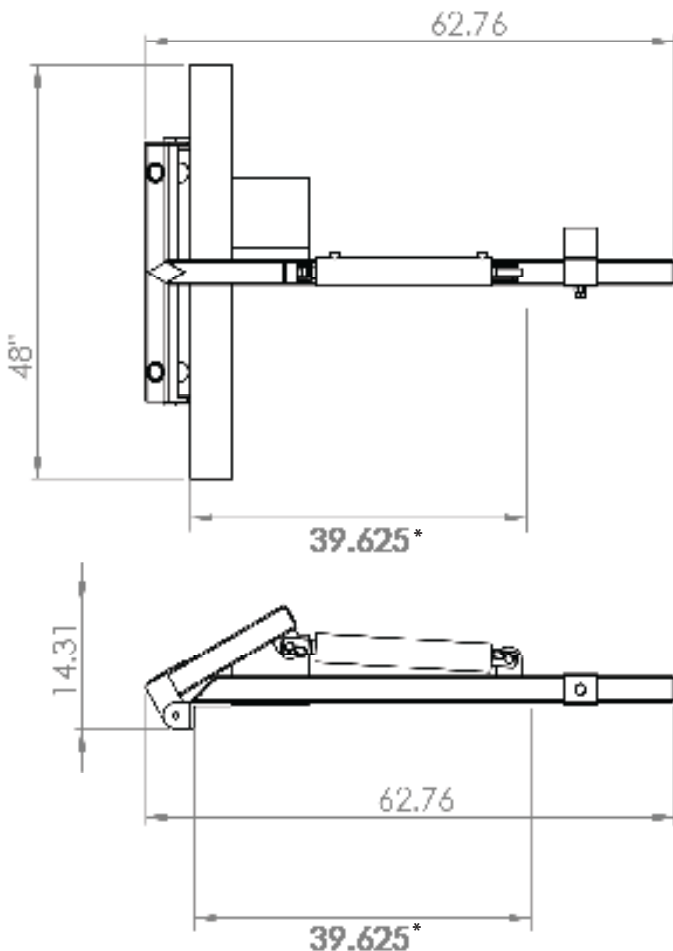
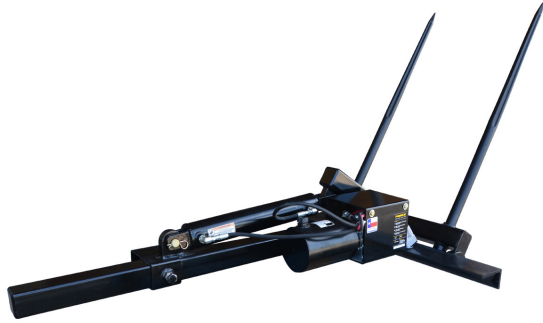


# HYDRAULIC BALE SPIKE

# PIERCE® PULLING FOR YOU



**CATEGORY** FARM & RANCH

**PART NO.** ABS1K

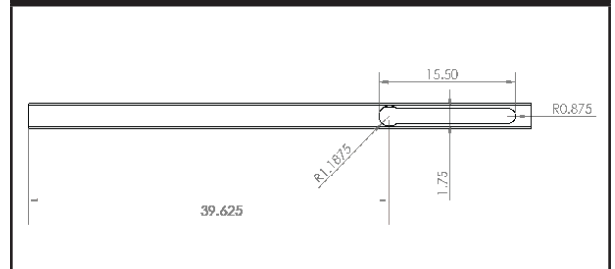
## PRODUCT DESCRIPTION

PIERCE Hydraulic Bale Spike

## SPECIFICATIONS

<b>CAPACITY</b>	2,500 lbs.
<b>HITCH TYPE</b>	5/16" Goose Neck Ball
<b>BALE HANDLING</b>	5' or 6' Large Round
<b>WARRANTY</b>	2 years
<b>PRODUCT WEIGHT</b>	270 lbs.
<b>GROSS WEIGHT</b>	310 lbs.
<b>DIMENSIONS</b>	64" x 62" x 30.5"
<b>ORIGIN</b>	Made in Texas
<b>CYLINDER</b>	HCL-3016
• TYPE	• Welded
• ROD	• 1.5"
• DIMENSIONS	• 3" x 16"
<b>PUMP</b>	PM-3554-0131
• TANK CAPACITY	• 3 qt.
• PRESSURE	• 2,500 PSI
• VOLTAGE	• 12 V
• HOSE CONNECTION	• #6 SAE

## GOOSE NECK BALL DIMENSIONS



\*Distance from rear of bed to hitch slot