



## 4 Function Receiver

### SYSTEM PART NUMBER

11RX04      4 Function Mini Receiver

<u>CONTENTS</u>
1 x Mini Receiver
1 x Instructions



### RECEIVER SPECIFICATION

#### ELECTRICAL

Voltage Nominal	12/24V DC
Voltage Min/Max	8 to 36V DC
Connection	1.5m (5ft) 7 core cable through gland
Switch Type	MOSFET (Positive Switching)
Functions	4

#### RF

Modulation	2-GFSK. Gaussian Frequency Shift Keying
Frequency	433.050 MHz to 434.790 MHz
Channels	1/32
Channel Selection	Fixed/Channel Hopping
Technology	Fixed Receiver
Temperature Range	-40° C to + 80° C (-40° F to + 176° F)
Range	60m (200ft)
Registration Codes	Over 16 million

#### CURRENT CAPACITY

FET Rating	7.5A
System Rating	7.5A
Quiescent Current	31mA 12V/ 17mA 24V on Standby (Not SET)
Power rating	100W

#### AERIAL

Aerial	Internal – ¼ wave wire
Aerial option	SMA Connector on PCB – order separately
External Antenna	AC9860/1/2/3 & 9 – order separately

#### SAFETY & PROTECTION

Back EMF	Yes – Diode Protection
Reverse Polarity	Yes
System Monitoring	Yes – using a secondary processor
Transient Voltage	Yes – TVS Diode 30.8 volts. 10amp fuse recommended
Overload	Yes – by temperature sensor

**CONFIGURATION**

Operating System           Lodar Script  
Functions                    Momentary with Horizontal Interlocks  
Master Output               Parallel – Continuous optional

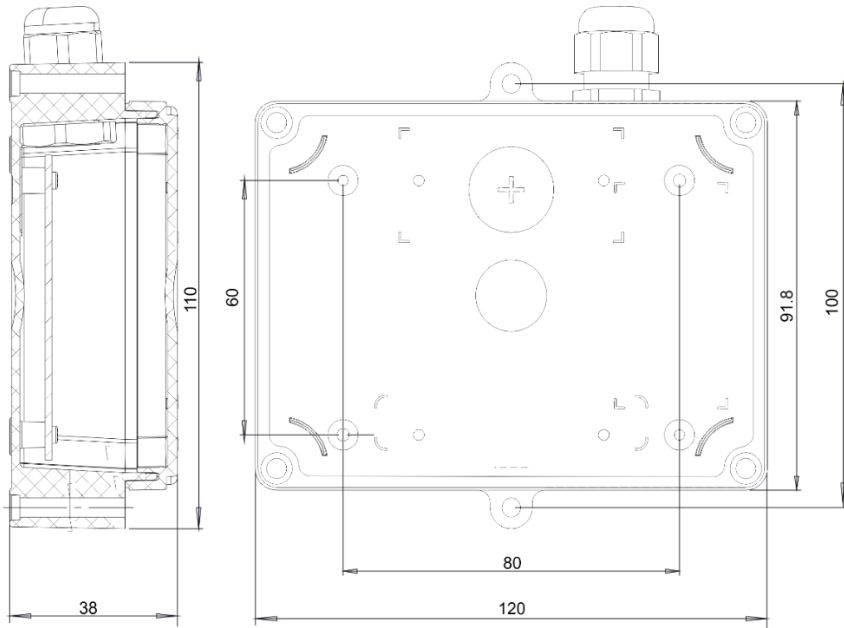
**INFORMATION**

Fault code                    Yes        LED  
Receive Indication         Yes        LED

**PACKAGING**

Brown Box                   with coloured sleeve

**ENCLOSURE**



Material Lid	Clear PVC - to view LEDs
Base	Black ABS
Dimensions	120 x 110 x 38mm (4.72 x 4.33 x 1.5ins.)
Weight	290 gms.
Breather	Gortex membrane
IP Rating	IP55
Functional Identification	LED though clear lid
Mounting	4 external lugs
Fixings	5mm (3/16") - not supplied

**COMPLIANCE**

REG 10	EC Type-approval mark E11 037601 EC Type-approval No: e11/72/245*2009/19*7601*00
FCC	FCC CFR 47 Part 15.109 433.050MHz to 434.790MHz
IC	ICES-003 Issue 6. 433.050MHz to 434.790MHz
CE	RED Directive ETSI EN 300 220-2 v3.2. ETSI EN 300 220-1 v3.1.1. ETSI EN 301 489-17 V3.1.1, ETSI EN 301 489-1 V2.1.1 433.050MHz to 434.790MHz
Australia/NZ	ETSI EN 300 220-2 v3.2.1 ETSI EN 301 489-1 V2.1.1 433.050MHz to 434.790MHz
RoHS	Directive 2011/65/EU